

PICKET, CLOSED TOP & SEMI-PRIVACY VINYL FENCE KIT

Installation Instructions



Read all instructions prior to installing product.

Refer to manufacturers safety instructions when operating any tools.

⚠ WARNING:

- Improper installation of this product can result in personal injury. Always wear safety goggles when cutting, drilling and assembling the product.
- Incorrect installation may cause harm to the product or individual.
- Check local building codes to determine pool-safe fencing options.

NOTICE:

- DO NOT attempt to assemble the kit if parts are missing or damaged.

BEFORE YOU BEGIN:

Check your local zoning laws.

- Local zoning laws and Home Owners Associations may regulate the location, style and height of your fence or even require a permit signoff beforehand.
- Check local codes for frost line depth and regulations.
- Additional products and assembly may be required to meet wind code requirements. Notice of acceptance (NOA) can be found at www.miamidade.gov/building/pc-search_app.asp

Contact your local utilities companies.

- You must have the utility companies clearly mark your property for electrical, gas or water lines to avoid puncturing any unseen underground utilities.

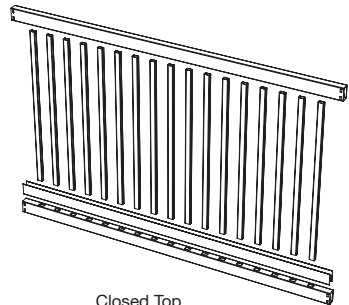
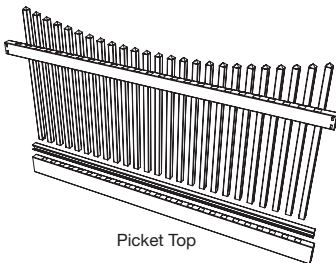
TOOLS NEEDED:

	Posts
	Post Tops
	Concrete
	Coarse Gravel (6" per hole)
	Post Hole Digger/Shovel
	String Line Stakes with String
	Level
	Tape Measure
	Rubber Mallet
	Safety Glasses
	Glue

Component list:

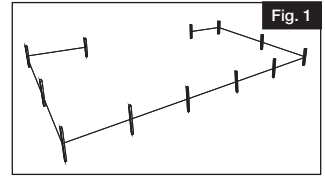
Description
Rails
Plank*
Pickets*

*Included depending on style

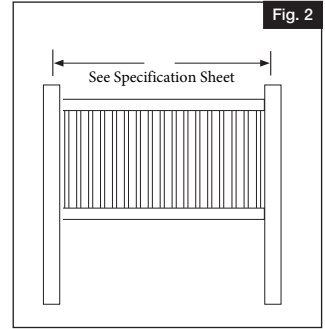


1.

Mark the fence location using string and line stakes (Fig. 1). Now mark all the locations for the posts. Review the specification sheet that is specific to the style of panel and post purchased. The specification sheet will tell you what the center to center post. Most fence styles are 96" centers or 72" centers (Fig.2).



NOTE: Plan gate placement, opening and hardware clearance before installing fencing. If you ordered a 60" wide gate, the opening between the gate posts should be 60". If you ordered a 48" wide gate, the opening between the gate posts should be 48".

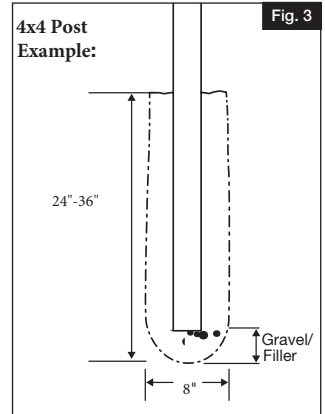


2.

Post Installation:

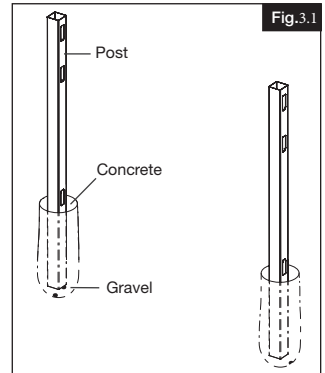
Dig the first two post holes. For 5" posts the hole should be a 10" Diameter. For 4" posts the diameter of the hole should be 8". Depth of hole is recommended to be 24"-36" depending on frost line and installation method. (Fig. 3) Check local building codes to determine what's best for your area. Insert filler/gravel (optional) into the bottom of both holes and then set first post in hole.

Add wet or dry concrete mix according to the manufacturer's instruction to the top of the hole for first post only and level it. (Fig. 3.1)



* Diameters based on post size:

10" for 5" x 5" post
8" for 4" x 4" post

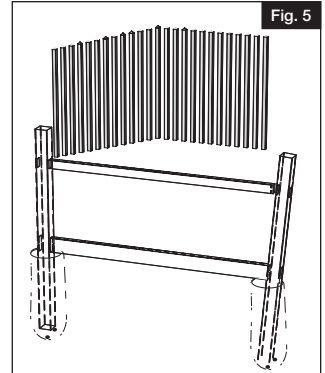
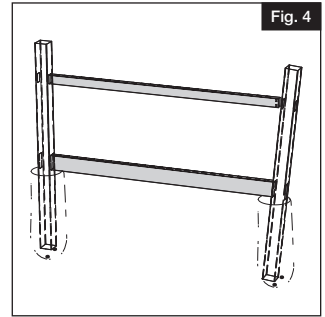


3.

For Picket Panels:

- a. Insert top and bottom rails into top and bottom post hole routes of both posts (Fig. 4). The rails are notched on each end and will not come out once inserted into post.
- b. Starting from the left side, insert pickets/boards down through the top rail. Finish by locking pickets/boards into bottom rail (Fig. 5).

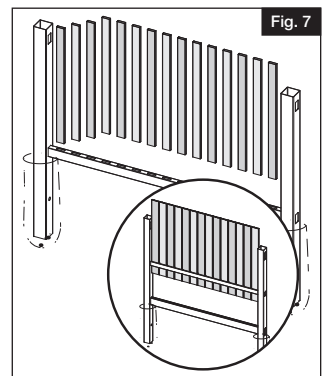
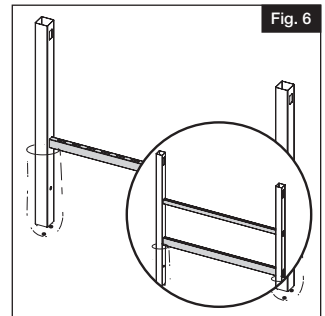
NOTE: Scalloped panels have top pickets that are numbered. Start from left side with the #1 picket first.



For Closed Top/Semi-Privacy Panels:

- a. Insert bottom rail into bottom post hole routes of both posts (Fig. 6).

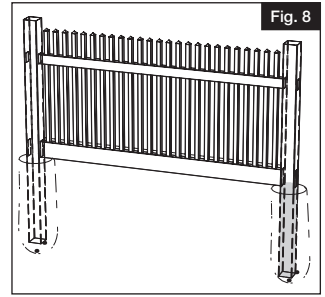
- b. Starting from the left side, insert pickets down into the bottom rail (Fig. 7).



4.

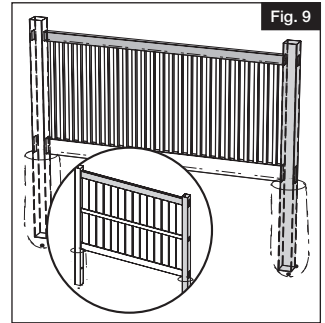
For Picket Panels:

Plumb and level second post and add concrete according to manufacturer's instructions to top of post hole (Fig. 8).



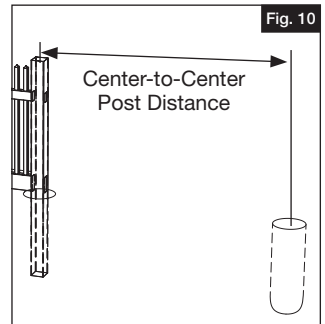
For Closed Top/Semi-Privacy Panels:

Add top rail to pickets/planks working from left to right. Once top rail is engaged with all pickets/planks, snap top rail into both top post hole routes (Fig. 9). Plumb and level second post and add concrete according to manufacturer's instructions to top of post hole.



5.

Check to ensure the second post is level, then add panel width plus one half ($\frac{1}{2}$) the width of your post. This will locate the center of your next hole. Then dig the third post hole accordingly (Fig. 10).



6.

Repeat process from steps 2 to 5 until all fence panels and posts have been installed.

7.

Apply glue on inside rim of post tops then attach to posts (Fig. 11).

