

VINYL RANCH RAIL

Installation Instructions



Read all instructions prior to installing product.

Refer to manufacturers safety instructions when operating any tools.

⚠ WARNING:

- Improper installation of this product can result in personal injury. Always wear safety goggles when cutting, drilling and assembling the product.
- Incorrect installation may cause harm to the product or individual.
- Not pool code approved.

NOTICE:

- DO NOT attempt to assemble the kit if parts are missing or damaged.

BEFORE YOU BEGIN:

Check your local zoning laws.

- Local zoning laws and Home Owners Associations may regulate the location, style and height of your fence or even require a permit signoff beforehand.
- Check local codes for frost line depth and regulations.
- Additional products and assembly may be required to meet wind code requirements. Notice of acceptance (NOA) can be found at www.miamidade.gov/building/pc-search_app.asp

Contact your local utilities companies.

- You must have the utility companies clearly mark your property for electrical, gas or water lines to avoid puncturing any unseen underground utilities.

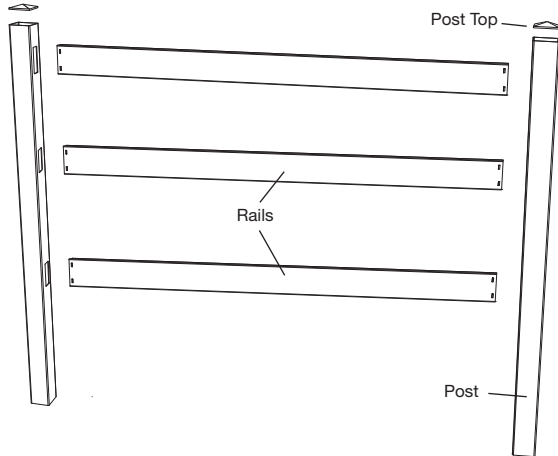
TOOLS NEEDED:

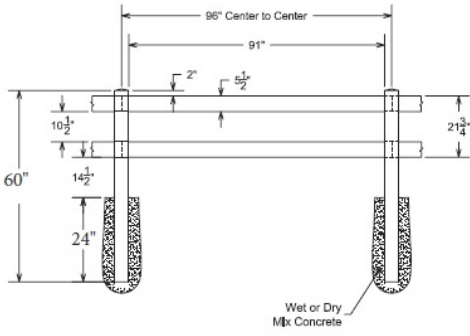
	Safety Glasses
	Level
	Tape Measure
	Concrete
	Coarse Gravel (6" Per Hole)
	Post Hole Digger
	String Line Stakes
	Shovel
	Rubber Mallet
	Vinyl Cement

NOTE: Components shown are for visual reference only and may not depict the exact style of your product. Please see product label for correct number of pieces.

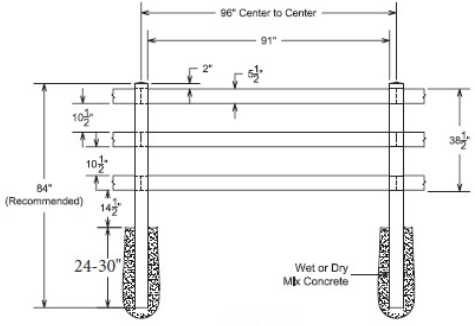
**Post & Rail
Component list:**

Description
Rails
Posts (Sold Separately)
Post Tops (Sold Separately)

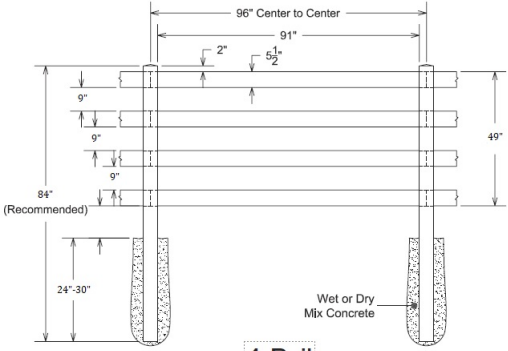




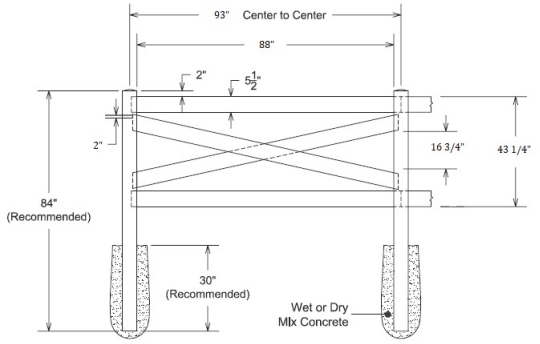
2-Rail



3-Rail



4-Rail

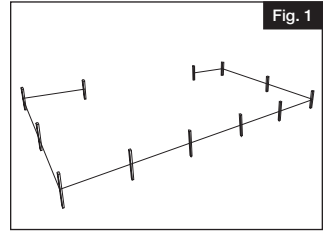


Crossback

1.

Mark the fence location using string and line stakes (Fig. 1). Now mark all the locations for the posts. Review the specification sheet that is specific to the style of panel and post purchased. (Fig.2) The specification sheet will tell you what the center to center post. 2-Rail, 3-Rail, and 4-Rail styles have 96" post centers. Crossbuck has 93" post centers

NOTE: Plan gate placement, opening and hardware clearance before installing fencing. If you ordered a 60" wide gate, the opening between the gate posts should be 60". If you ordered a 48" wide gate, the opening between the gate posts should be 48".

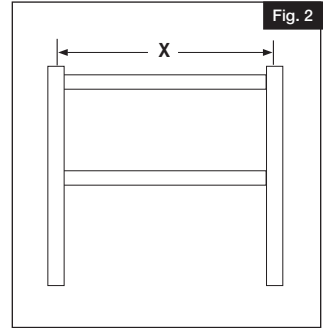


2.

Post Installation:

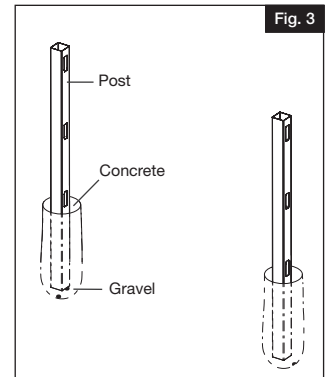
Dig the first two post holes. For 5" posts the hole should be a 10" Diameter. Depth of hole is recommended to be 24"-30" depending on frost line and installation method. Check local building codes to determine what's best for your area.

Add wet or dry concrete mix according to the manufacturer's instruction to the top of the hole for first post only and level it. (Fig. 3)



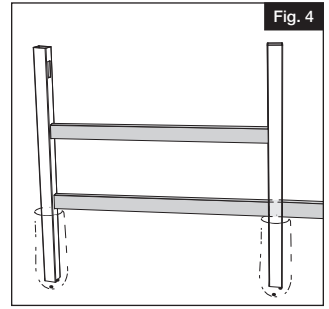
3.

Make sure the bottom hole of the post is at least 2" above the ground. After setting first fence section, proceed systematically with post, panel, post, etc.



4.

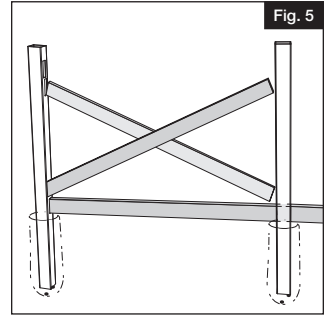
For 2-Rail, 3-Rail, & 4-Rail, insert bottom rail into bottom post route hole of first post only, then do the same for the middle & top rails accordingly. If using 16' Rails, alternate rails so rail ends do not begin at the same post (Fig. 4).



5.

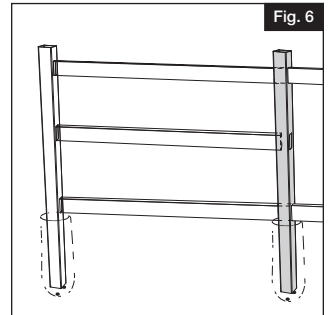
For Crossbuck Styles, insert bottom rail into bottom post route hole, then first cross rail, followed by second cross rail, and finally the top rail accordingly (Fig. 5)

NOTE: You will need to cut the top and bottom rails to size on site



6.

Insert the rails into the route holes of the second fence post and continue process for the rest of set posts.



7.

Apply glue on inside rim of post tops then attach to posts (Fig. 7). Repeat these steps until completed.

